



Sovitron Interior Pvt.Ltd.



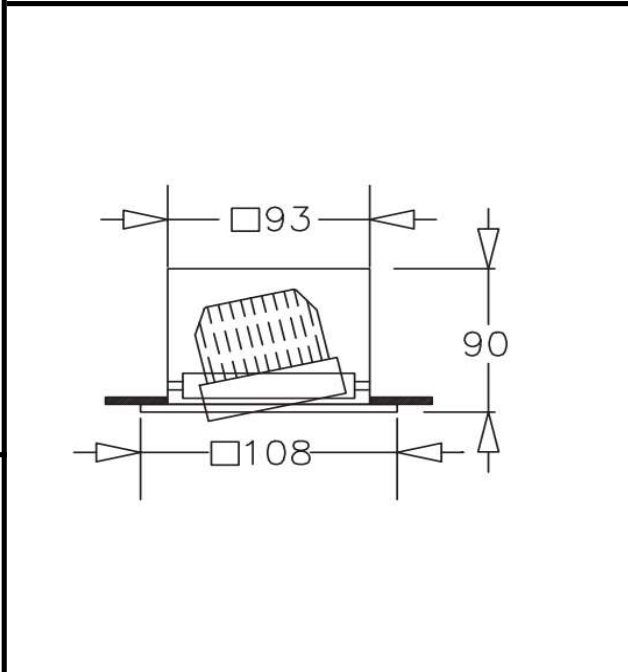
Model Name	Element Single Head / DLTEESHDR1-12
Description	Downlighter

Technical description	Image
-----------------------	-------

Dimension	Outer Dia=108mm Cutout Dia=93mm H=90mm
Frame	Aluminium die-cast
Color Tempertaure	3000K
Power	12W
Total Luminous Flux	1080 lm
Efficacy	90 lm/W
IP rating	50
Color Rendering	≥80
Mounting	Recessed
Beam angle	15°/24°/38°
Diffuser/Lens	Lens
Dimming	NON-Dimmable
Operating Voltage	220-240 VAC
Standard Lifetime	L70 minimum at 50,000 burning hours



Dimension diagram



Remarks:-

Address: Plot #7 Saroorpur-Nangla Industrial Area,Ballabgharh-Sohna Road,Faridabad-121005
Email: info@sovitron.com